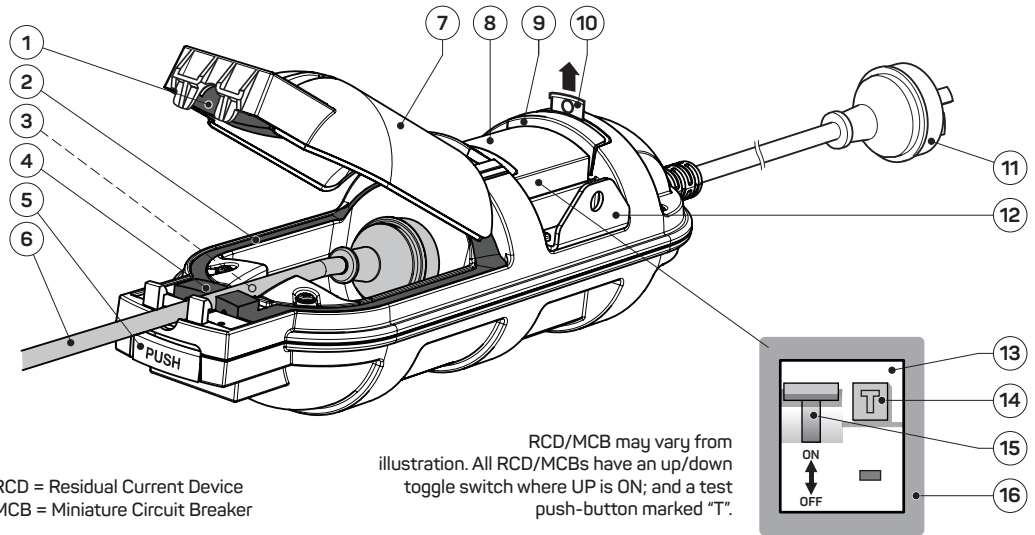


# AMPFIBIAN MAX Heavy-Duty Weatherproof 15A to 10A Power Adaptor with RCD and MCB

Mfgr.# 02897

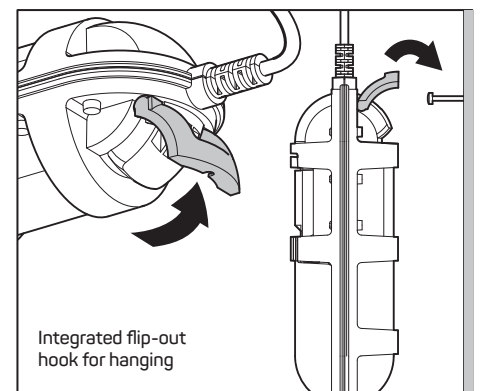
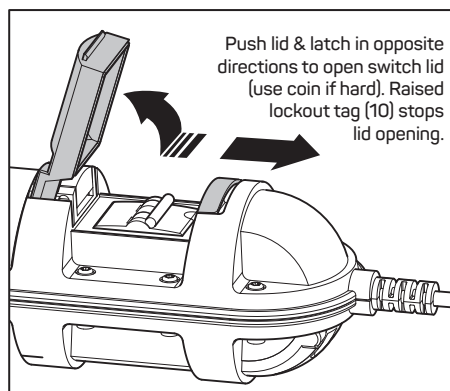
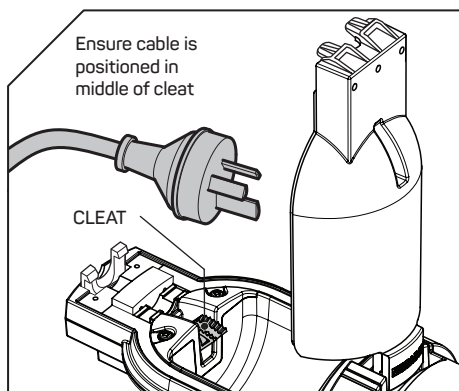
## No. DESCRIPTION

- 1 CORD SEAL (LID)
- 2 PLUG LID GASKET
- 3 RETAINING CLEAT
- 4 CORD SEAL (BODY)
- 5 PLUG LID LATCH
- 6 LEAD (NOT SUPPLIED)
- 7 PLUG LID
- 8 RCD/MCB LID
- 9 RCD/MCB LID LATCH
- 10 LOCKOUT TAG
- 11 PLUG & FLY-LEAD
- 12 SECURITY BRACKET
- 13 RCD/MCB
- 14 TEST BUTTON
- 15 RCD/MCB SWITCH
- 16 RCD/MCB LID GASKET



RCD = Residual Current Device  
MCB = Miniature Circuit Breaker

RCD/MCB may vary from illustration. All RCD/MCBs have an up/down toggle switch where UP is ON; and a test push-button marked "T".



## USING THE AMPFIBIAN MAX

1. With nothing plugged in, connect MAX plug (11) directly into power supply (wall) socket and switch power supply ON.
2. Switch MAX ON (15). If unit trips, unplug it and contact us. DO NOT USE or continue to next step.
3. Press test button labelled "T" (14). If switch (15) trips OFF continue to step 4. If switch (15) DOES NOT trip when test button pressed, unplug the MAX and contact place of purchase. DO NOT use MAX or continue to step 4.
4. Connect extension cord (6) to the MAX socket ensuring that the lead is captured by the plug lid (7) and cleat (3). Avoid any strain on the lead.
5. Connect device directly or via extension cord/lead (6).
6. Switch MAX to ON position (15).

**Both lids (7 & 8) must be latched closed before use. Inspect seals for damage and/or obstruction. Do not use if lids, seals or latches are damaged or inoperable.**

## IF AMPFIBIAN MAX TRIPS IN SERVICE

First rule out that the MAX is at fault by performing the above test procedure. The MAX will trip due to overload or an earth leakage fault. If you are unsure of the cause, or you believe there is an earth leakage fault, turn off all power and

contact a licensed electrician. If you believe there is an overload, switch off or unplug some of the appliances and reset the MAX.

Electricity can be dangerous! RCDs (Residual Current Devices) are not a substitute for basic electrical safety precautions. RCDs are additional protection and will not prevent shock, but will minimise the effect. Do not use this device if it fails to operate correctly in accordance with these instructions.

The Ampfiban MAX is rated 240 Volts with a maximum current rating of 10A.

Do not try to open or repair the MAX yourself. No user-serviceable parts are inside. If the supply cord is damaged, it shall be replaced by the manufacturer or its service agent in order to avoid a hazard.

Test the MAX before each use as described in step 3. This device will only protect against faults to earth through the body, but not against active to neutral faults.

This device must be connected DIRECTLY to an outlet socket. It must not be connected via cord extension sets.

Wet seals will freeze and will not recover their shape until thawed. Do not open frozen unit until thawed. Opening frozen unit may result in damage to seals.

**Do not expose to petrol, oil, solvents, pool chemicals, etc.!**

**Do not use in hazardous locations!**

**Do not use if damaged!**

**Do not disassemble!**

**Ingress protected to IP55.**

**Do not submerge in water!**

**Remove condensation with a soft absorbent cloth.**

**Turn off power supply before handling connections in wet conditions!**

**Store in a dry place out of direct sunlight.**

**Ensure there is no gap visible through cord seals when closed! If required, leave lid open until cord seals have fully recovered.**

**This product is not intended for permanent installation.**

**Do not bury!**

**Suitable for ordinary and heavy-duty extension leads from 7mm to 12mm diameter.**

**H-Class rated device for trade and commercial use.**

**To be used with 10A (2400W) maximum load.**



## RATING KEY

Ingress Rating		Impact Rating
<b>SOLID</b>	<b>LIQUID</b>	
<b>IP1_</b>	<b>IP_1</b>	<b>IK04</b>
Protection of the back of the hand against accidental access to hazardous parts and objects larger than 50mm	Protection against vertically falling water drops	0.5 Joules Impact Energy Drop of 200g object from a height of 250mm
<b>IP2_</b>	<b>IP_2</b>	<b>IK05</b>
Protection of fingers against access to hazardous parts and objects larger than 12.5mm	Protection against vertically falling water drops up to 15° from vertical	0.7 Joules Impact Energy Drop of 200g object from a height of 350mm
<b>IP3_</b>	<b>IP_3</b>	<b>IK06</b>
Protection of persons holding tools or wires larger than 2.5mm diameter	Protection against spraying water (rain) at an angle up to 60° from vertical	1.0 Joules Impact Energy Drop of 500g object from a height of 200mm
<b>IP4_</b>	<b>IP_4</b>	<b>IK07</b>
Protection of persons holding tools or wires larger than 1mm diameter	Protection against splashing water from any direction (360°)	2.0 Joules Impact Energy Drop of 500g object from a height of 400mm
<b>IP5_</b>	<b>IP_5</b>	<b>IK08</b>
Protection against entry of dust in sufficient quantity to interfere with equipment	Protection against water jets from any direction (360°)	5.0 Joules Impact Energy Drop of 1700g object from a height of 295mm

## LIMITED WARRANTY

Every Ampfibian product is thoroughly inspected and tested before leaving our factory. Ampfibian Pty. Ltd. limits this warranty against defective workmanship and faulty materials under normal use for twentyfour (24) months from date of purchase (proof of date of purchase must be provided) and undertakes at its option to repair or replace each product or part thereof on condition that:

- The product has not been subject to misuse, neglect, accidents or alterations;
- The unit has been used and maintained as per the instructions.

Ampfibian Pty. Ltd. is not liable for any consequential damage to either people, work or facilities from using the Ampfibian.

Please ensure Ampfibian is actually faulty before returning it, by testing it on a different power circuit and with a different appliance. Please see the "Return & Refund Policy" page on our website or contact us for details. All shipping costs are the responsibility of the customer.

Please staple your purchase receipt (or a copy) to this document. You will be asked to provide a filled-out copy of this form and proof-of-purchase in the event of a warranty claim.



*If you want an extra year's cover free (three in total), register your warranty online at [ampfibian.com.au](http://ampfibian.com.au)*



DATE OF PURCHASE: \_\_\_\_\_ SERIAL #\*: \_\_\_\_\_

PURCHASED FROM: \_\_\_\_\_

PURCHASER'S NAME: \_\_\_\_\_

CONTACT INFORMATION: \_\_\_\_\_

\*) Located below compliance label. Please keep these instructions with you. Only send this form to Ampfibian in case of a warranty claim!

Operating Environment	
<b>L-Class</b>	<b>H-Class</b>
A single phase portable RCD primarily intended for household use 	A portable RCD intended for general industrial use 

Electrical Protection	
<b>RCD</b>	<b>MCB</b>
<b>Residual Current Device:</b> Immediately cuts the power if a difference between incoming and outgoing voltage is detected. Protects <b>people</b> against the effects of electrocution	<b>Miniature Circuit Breaker:</b> Cuts the power in case of overload. Protects <b>circuits</b> from overheating and catching fire

**PLEASE NOTE:**  
This unit contains country specific components and must be used in its country of purchase:  
- AU has a C-type RCBO  
- NZ an FS A-type RCBO



## ADAPTOR RANGE

PRODUCT	MINI-PLUS	MINI	RV-PLUS	MAX
COUNTRY	NZ	ANZ	AUSTRALIA	ANZ
STANDARDS COMPLIANCE	AS/NZS3820	AS/NZS3001	AS/NZS3001 AS/NZS3190	AS/NZS3001 AS/NZS3190
DEVICE CLASS	L-CLASS	L-CLASS	L-CLASS	H-CLASS
IMPACT RATING	IK08	IK08	IK08	IK08
LOAD SOCKET	16A CEE	15A	15A	15A
WEATHERPROOFING	IP44	IP33	IP55	IP55
MAX. LOAD	2400W	2400W	2400W	2400W
MAX SUPPLY	10A	10A	10A	10A
SUPPLY LEAD PLUG				

Specifications subject to change without notice.



PC/POM/  
PVC parts



1782-INSTRUCT-RV02MAX-L